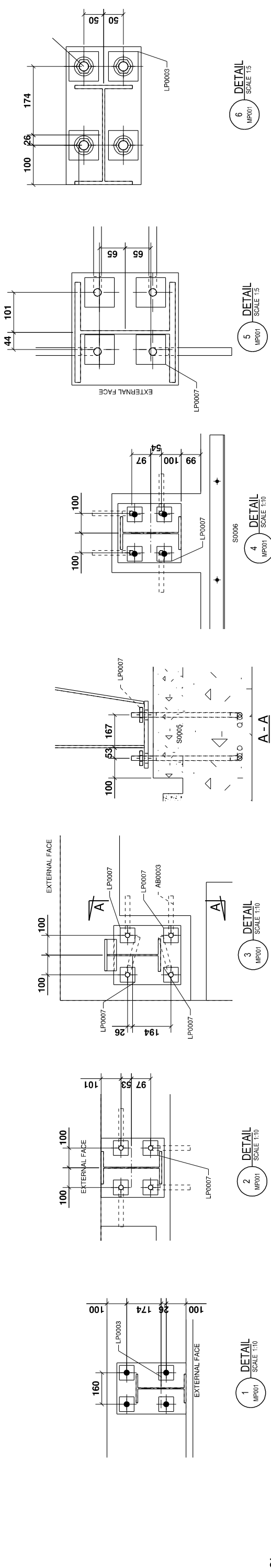


HD BOLT PLAN L27



Note:  
1-Anchor bolt detail has been adjusted based on current A.B. survey.

- 2-All compensating washers need to be site-welded to the baseplates:
  - 6CFW - minimum three sides welded
  - 8CFW - minimum two sides welded
- Please ensure all required safety measures are taken when site-welding close to the slab edge.

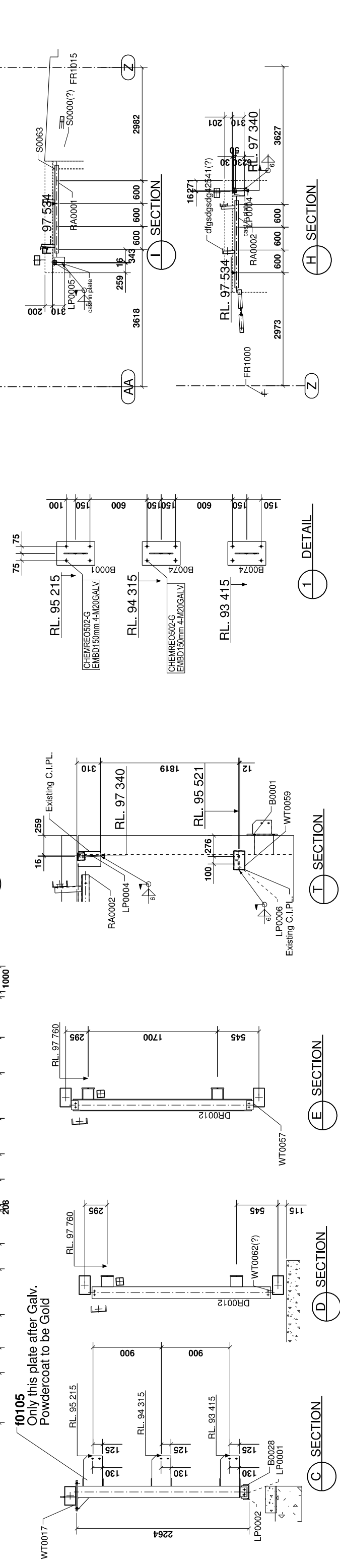
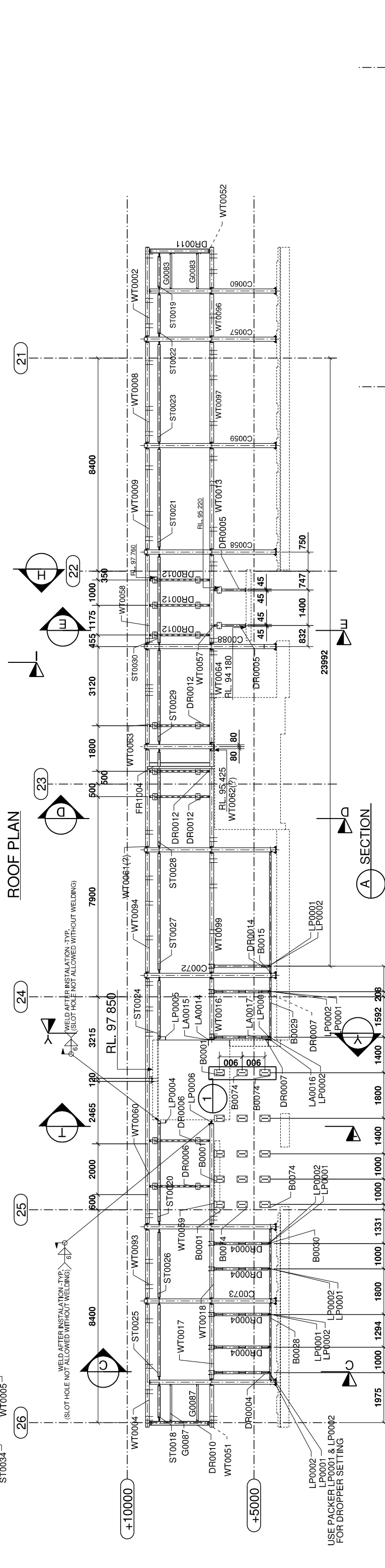
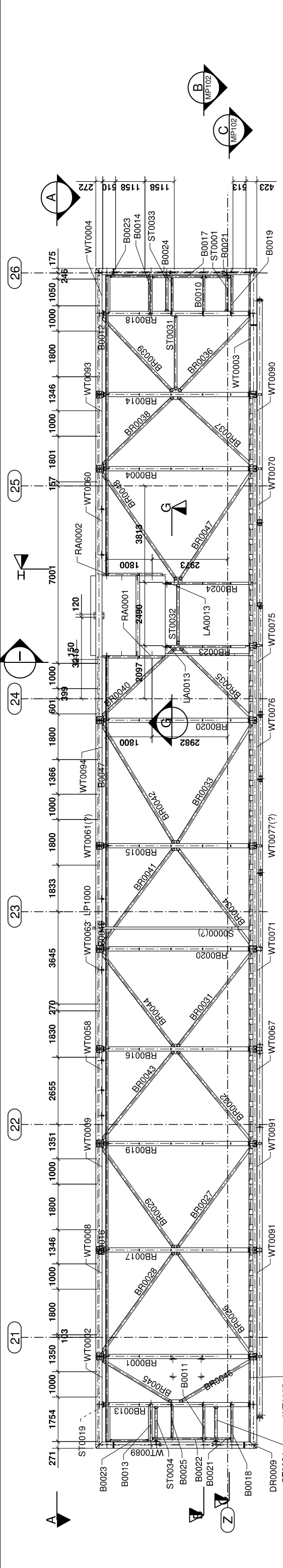
Revision	Date	Revision	Date	Description
4	31.08.2017	ISSUED FOR FABRICATION		
3	25.08.2017	ISSUED FOR FABRICATION		
2	14.07.2017	AS CLOUED		
1	14.07.2017	ISSUED FOR FABRICATION		
B	13.07.2017	ENG. COMMENTS APPLIED		
A	12.07.2017	ISSUED FOR APPROVAL		

		<p>Notes:</p> <ul style="list-style-type: none"> <li>- Cleats for beams to be on North or West side of member typical</li> <li>- Cleats for channels to be erected to heel of member</li> <li>- Connections to be erected to non-standard side of to be marked with "#"</li> </ul>	
Drawn By:	A.N.	Date:	31.08.2017
Checked By:			

<p><b>SAMPLE Plant Room</b></p> <p><b>HD BOLTS AT RL27</b></p>		<p>Silicon Job No: Subcontractor Job No: Drawing No:</p>
<p><b>2018 CLIENT</b></p>	<p><b>MP001</b></p>	<p>Rev: <b>4</b></p>



Revision	Date	Description
5	13.09.2017	ISSUED FOR FABRICATION
4	06.09.2017	ISSUED FOR FABRICATION
3	05.09.2017	ISSUED FOR FABRICATION
2	31.08.2017	ISSUED FOR FABRICATION
1	25.08.2017	ISSUED FOR FABRICATION
A	04.08.2017	ISSUED FOR APPROVAL

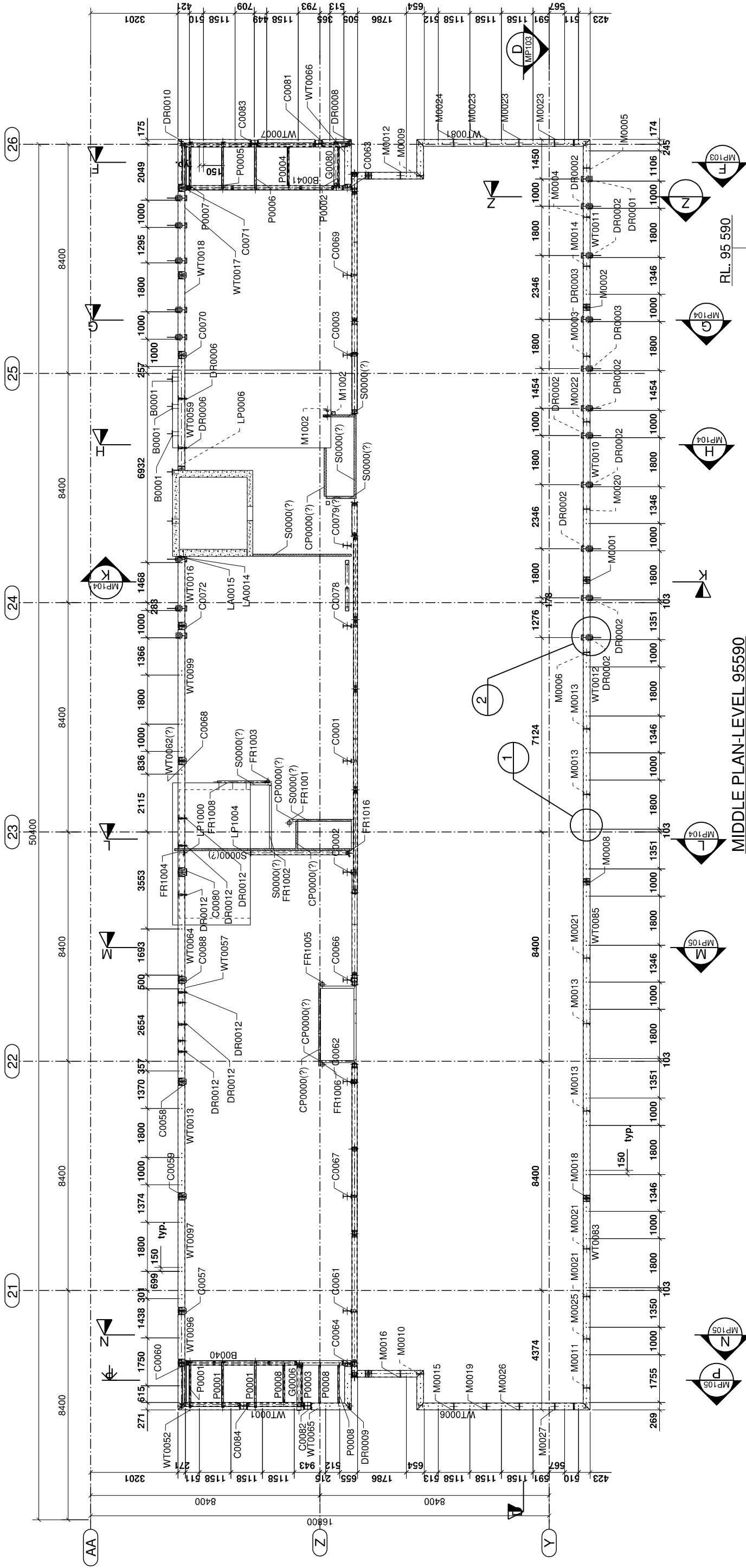
Revision	Date	Description

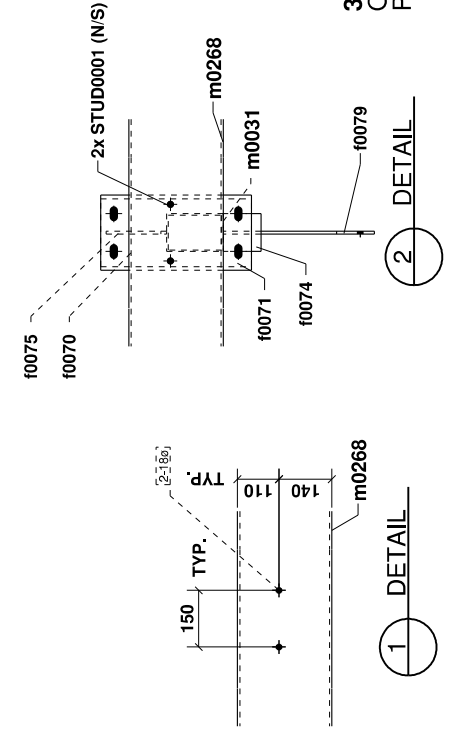
Notes:

- Cleats for beams to be on North or West side of member typical
- Cleats for channels to be erected to heel of member
- Connections to be erected to non-standard side of to be marked with "#"

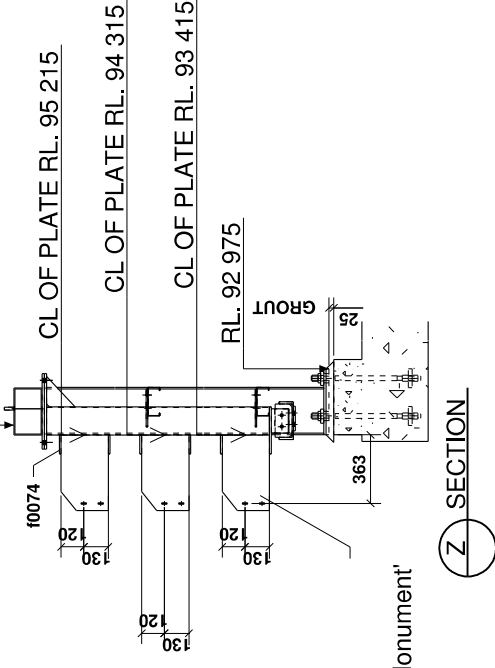
Drawn By: A.N. Date: 13.09.2017  
Checked By: Date:



MIDDLE PLAN-LEVEL 95590



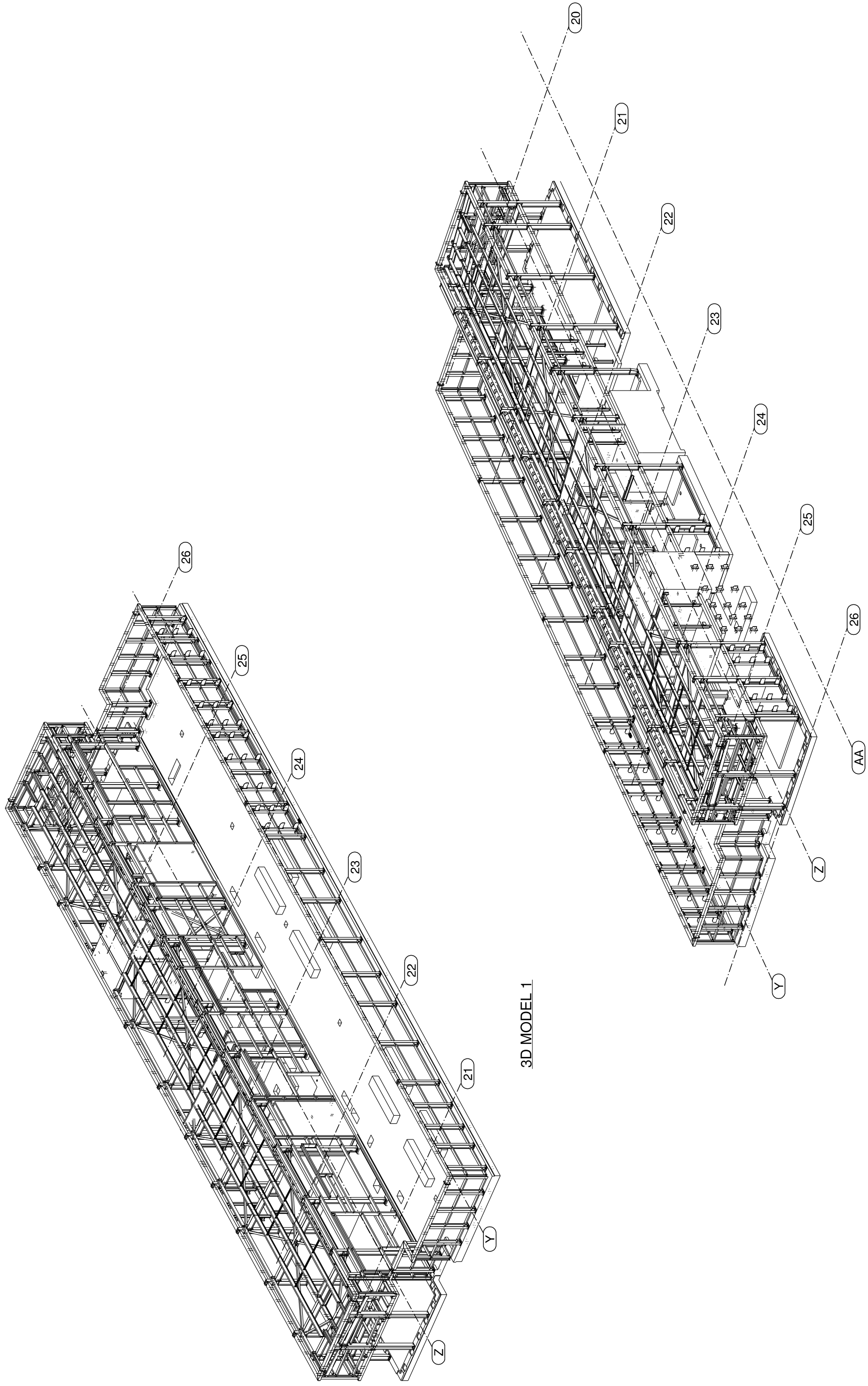
3x f0079  
Only this plate after Galv.  
Powdercoat to be Dulux 'Monument'



Revision	Date	Description
5	13.09.2017	ISSUED FOR FABRICATION
4	05.08.2017	ISSUED FOR FABRICATION
3	31.08.2017	ISSUED FOR FABRICATION
2	25.08.2017	ISSUED FOR FABRICATION
1	18.08.2017	ISSUED FOR FABRICATION
B	15.08.2017	ISSUED FOR APPROVAL
A	04.08.2017	ISSUED FOR APPROVAL

Notes:  
 - Cleats for beams to be on North or West side of member typical  
 - Cleats for channels to be erected to heel of member  
 - Connections to be erected to non-standard side of to be marked with "#"  
 Drawn By: A.N. Date: 13.09.2017  
 Checked By: \_\_\_\_\_

SAMPLE  
Plant Room  
MIDDLE PLAN



3D MODEL 1

3D MODEL 2

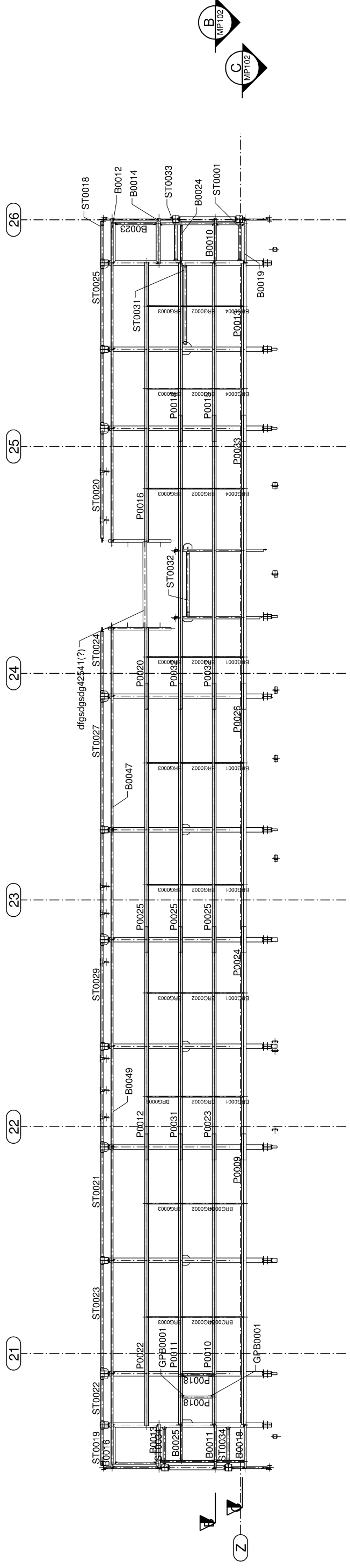
Revision	Date	Description
3	05.09.2017	ISSUED FOR FABRICATION
2	31.08.2017	ISSUED FOR FABRICATION
1	25.08.2017	ISSUED FOR FABRICATION
A	04.08.2017	ISSUED FOR APPROVAL

Revision	Date	Description

Notes:

- Cleats for beams to be on North or West side of member typical
- Cleats for channels to be erected to heel of member
- Connections to be erected to non-standard side of to be marked with "#"

Drawn By: A.N. Date: 05.09.2017  
 Checked By: Date:



ROOF PLAN

SAMPLE Plant Room		Subcontractor Job No:   Drawing No:	
ROOF PURLIN PLAN		MP106	
Notes:		Date: 05.09.2017	
- Cleats for beams to be on North or West side of member typical		Checked By: A.N.	
- Cleats for channels to be erected to heel of member		Date: 05.09.2017	
- Connections to be erected to non-standard side of to be marked with "#"		Date:	
Drawn By: A.N.		Date:	
Checked By:		Date:	
Revision	Date	Revision	Date
1	05.09.2017		
ISSUED FOR FABRICATION		Description	